

2MP ColorHunter With Smart Dual Light Bullet Analog Camera

UAC-B142-AF28M-DL



Overview

UAC-B142-AF28M-DL is a 2MP ColorHunter with smart dual light bullet analog camera with a high-performance 1/3-inch CMOS sensor and 3D noise reduction technology. It supports TVI/AHD/CVI/CVBS, which effectively enhances product adaptability and diversity of networking solutions. With SYV-75-3 or other coaxial cable types, the camera can achieve low-cost, long-distance, and anti-interference mega-pixel HD video transmission without time delay. The camera also supports audio input and synchronous transmission of audio and video. With UNV XVR, our ColorHunter cameras equipped with Smart Dual Light can intelligently switch between IR and white light when detecting a target or not, offering flexible lighting options and enhancing security.

Features

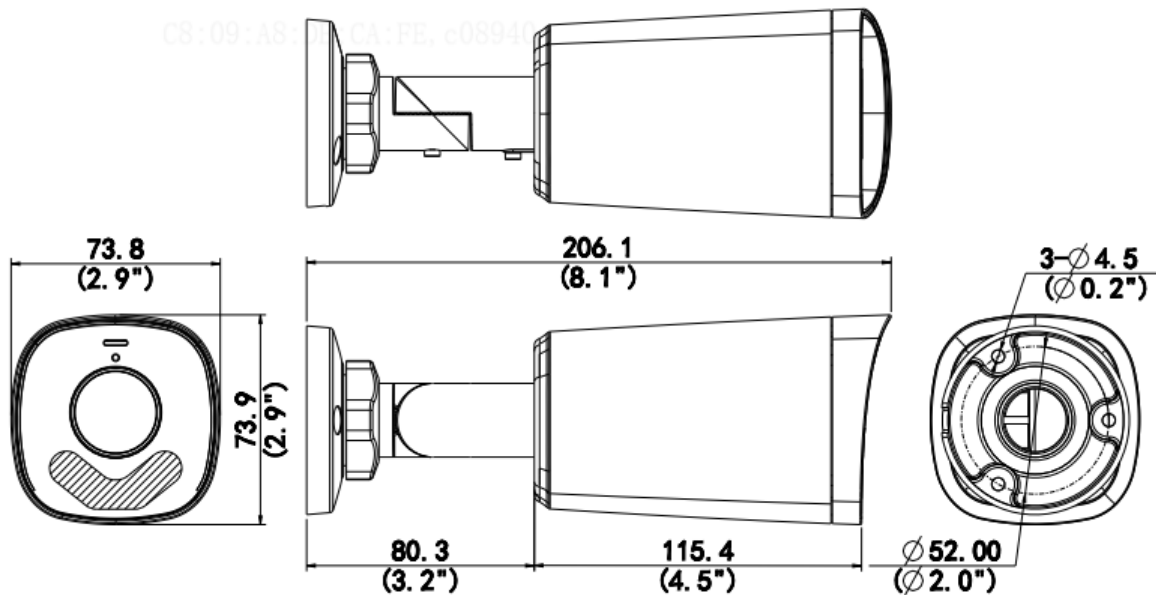
- High quality imaging with 2MP resolution
- TVI/AHD/CVI/CVBS
- Supports IR-cut filter with auto-switch (ICR)
- Smart Dual Light
- 3D noise reduction technology delivers clean and sharp images
- Supports 180° horizontal flip, 180° vertical flip
- OSD configuration menu, easy to operate
- IP67 waterproof and dustproof design, high reliability
- OSD configuration menu in 11 languages
- Built-in microphone for high quality audio transmission via coaxial cables

Specifications

Sensor	Description
Pixel	2MP
Sensor Size	1/3"
Min. Illumination	0.003 lux (F1.6, AGC ON) 0 lux (Illuminator ON)
Lens	Description
Focus	UAC-B142-AF28M-DL:2.8mm
Lens Mount	M12
Angle of View (H)	UAC-B142-AF28M-DL:100.9°
Angle of View (V)	UAC-B142-AF28M-DL:56.5°
Angle of View (D)	UAC-B142-AF28M-DL:121.8°
Illuminator	Description
Illuminator Number	Two IR illuminators; Two white-light illuminators
Illumination Distance	IR: 40m (131.23 ft) White light: 40m (131.23ft)
Lifetime	≥60000 hours
Video	Description
Resolution	1080P: 1920(H) × 1080(V) 720P: 1280(H) × 720(V)
Frame Rate	TVI/AHD/CVI: 1080P@25fps (default TVI), 1080P@30fps; 720P@25fps, 720P@30fps CVBS: PAL, NTSC
Shutter Time	PAL: 1/25s-1/50000s, NTSC: 1/30s-1/50000s
Image	Description
Exposure Mode	Four modes: Global(default),BLC,HLC,DWDR
Day/Night	Three modes: Auto (default), Day, Night
Digital Noise Reduction	2D/3D
White Balance	Two modes: Auto (default),Manual
WDR	DWDR
Light Mode	Dual light (default) , Infrared, White light
Flip	Supports 180° horizontal flip, 180° vertical flip
Digital Defog	N/A
Audio	Description
Built-in Mic	Support
Camera Audio	TVI: 1080P@25fps, 1080P@30fps CVI: 1080P@25fps, 1080P@30fps
Interface	Description
Power Interface	5.5mm Power Interface
Video Output	BNC, supports TVI/AHD/CVI/CVBS
Operating Environment	Description

Temperature	-30°C to 60°C (-22° F to 140° F)
Humidity	≤95% RH (non-condensing)
Surge Protection	4kV for power&4kV for video output interfaces
General	Description
Power	DC12V±25%
Power Consumption	MAX 3.6W
Mount	Corner Mount&Pole Mount
Dimensions	198mm*74mm*74mm (L*W*H)
Material	Metal
Weight	227g(0.50lb)
OSD Menu Language	11 Languages English, German, Spanish(Latin America), French, Italian, Japanese, Korean, Polish, Portuguese(Brazil), Russian, Turkish
Certification	Description
EMC	CE-EMC (EN 55032,EN 61000-3-3,EN IEC 61000-3-2,EN 55035)FCC (FCC 47 CFR part15 B)
Safety	CE-LVD (EN 62368-1)
Environment	CE-RoHS (2011/65/EU;(EU)2015/863); WEEE (2012/19/EU)
Protection	IP67 (IEC 60529)

Dimensions



Accessories

TR-JB05-B-IN

(Round)



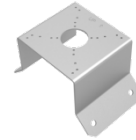
TR-A01-IN



TR-UP06-C-IN



TR-UC08-C



Zhejiang Uniview Technologies Co., Ltd.

No. 369, Xietong Road, Xixing Sub-district, Binjiang District, Hangzhou City, 310051, Zhejiang Province, China

Email: overseasbusiness@uniview.com; globalsupport@uniview.com

<http://www.uniview.com>

©2024 Zhejiang Uniview Technologies Co., Ltd. All rights reserved.

*Product specifications and availability are subject to change without notice.

*Despite our best efforts, technical or typographical errors may exist in this document. Uniview cannot be held responsible for any such errors and reserves the right to change the contents of this document without prior notice.