

4MP Fixed Dome Network Camera

IPC3614LR3-PF28 (40)



Key Features

Optics

- Day/night functionality
- SmartIR, up to 30 m (98 ft) IR distance
- 2D/3D DNR (Digital Noise Reduction)

Compression

- Ultra 265, H.265, H.264, MJPEG
- Triple streams
- 9:16 corridor format

Network

- ONVIF Conformance

Structure

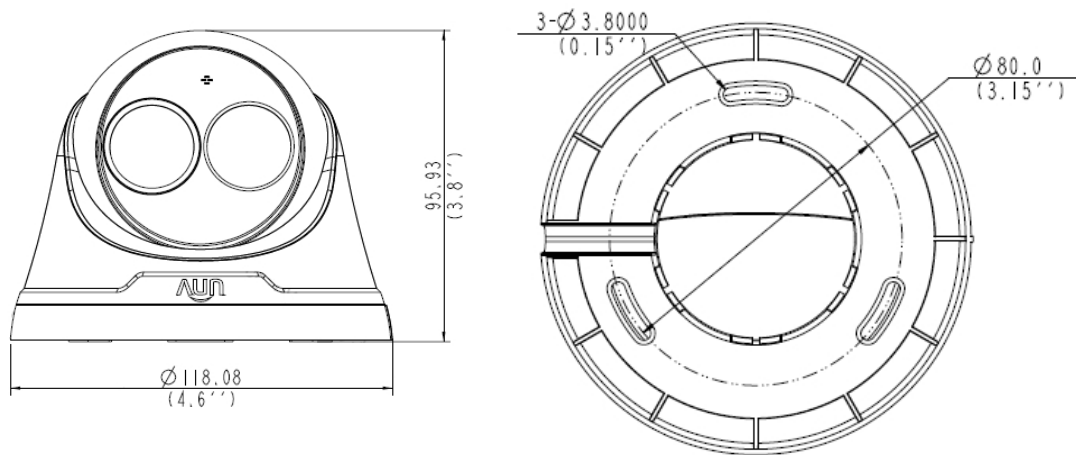
- Wide temperature range: -20°C to 50°C (-4°F to 122°F)
- Wide voltage range of $\pm 25\%$

Specifications

	IPC3614LR3-PF28	IPC3614LR3-PF40			
Camera					
Sensor	1/3", progressive scan, 4megapixel, CMOS				
Lens	2.8mm@F1.8		4mm@F1.8		
DORI Distance	Lens	Detect(m)	Observe(m)	Recognize(m)	Identify(m)
	2.8mm	63	25,2	12.6	6.3
	4mm	90	36	18	9
Angle of view(H)	104.4°		78.9°		
Angle of View (V)	54.4°		39.6°		
Angle of View (O)	135.7°		97.1°		
Adjustment angle	Pan: 0°~360°		Tilt: 0°~90°		Rotate: 0°~360°
Shutter	Auto/Manual, 1/6~1/100000 s				
Minimum Illumination	Colour: 0.02 Lux (F1.8, AGC ON) 0 Lux with IR				
Day/Night	IR-cut filter with auto switch (ICR)				
Digital noise reduction	2D/3D DNR				
S/N	>52 dB				
IR Range	Up to 30m (98 ft) IR range				
Defog	Digital Defog				
WDR	DWDR				
AWB(Auto white balance)	Auto/manual				
Gain Control	Auto/manual				
Video					
Video Compression	Ultra 265,H.265, H.264, MJPEG				
H.264 code profile	Baseline profile, Main Profile, High Profile				
Frame Rate	Main Stream:4MP (2592×1520): Max. 20 fps, 4MP (2560×1440): Max. 25 fps, 3MP (2048×1520): Max. 30 fps,2MP(1920×1080): Max. 30 fps; Sub Stream:2MP (1920×1080): Max. 30 fps; Third Stream:D1(720×576) : Max. 30fps				
HLC	Supported				
BLC	Supported				
9:16 Corridor Mode	Supported				
OSD	Up to 8 OSDs				
Privacy Mask	Up to 8 areas				
ROI	Up to 8 areas				
Motion Detection	Up to 4 areas				
Network					
Protocols	IPv4, IGMP, ICMP, ARP, TCP, UDP, DHCP, PPPoE, RTP, RTSP, RTCP, DNS, DDNS, NTP, FTP, UPnP, HTTP, HTTPS, SMTP, 802.1x				
Compatible Integration	ONVIF(Profile S), API				

Interface	
Network	1 RJ45 10M/100M Base-TX Ethernet
General	
Power	12 V DC±25%, PoE (IEEE802.3 af)
	Power consumption: Max 5.0W
Dimensions (Ø x H)	Ø118 x 96 mm (Ø4.6" x 3.8")
Weight	0.2 kg (0.44lb)
Operating Conditions	-20C ~ +50°C (-4°F ~ 122°F), Humidity :10%~95% RH(non-condensing)

Dimensions



Zhejiang Uniview Technologies Co.,Ltd.

South Tower, Building 10, Wanlun Science Park, 88 Jiangling Road, Hangzhou, P.R.China 310051

Email: overseasbusiness@uniview.com; globalsupport@uniview.com

<http://www.uniview.com>

©2017-2018 Zhejiang Uniview Technologies Co.,Ltd. All rights reserved.

*Product specifications and availability are subject to change without notice.