

4MP Fisheye Fixed Dome Network Camera

IPC814SR-DVPF16



Key Features

Optics

- Ultra wide angle lens, 180° panoramic image
- Smart IR, Up to 10 m (33ft) IR distance
- 2D/3D DNR (Digital Noise Reduction)

Compression

- Ultra265, H.265, H.264, MJPEG
- Built-in omni directional microphone
- Triple stream (3 panoramic view)

Network

- ONVIF Conformance

Structure

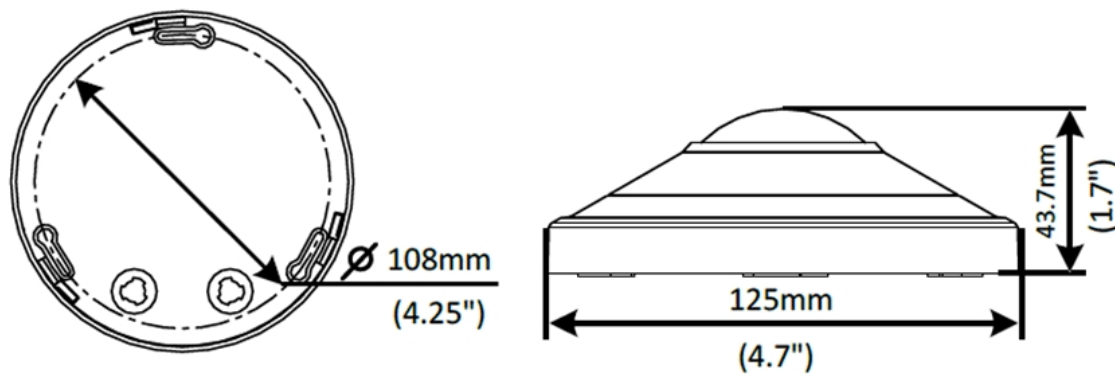
- Support PoE power supply
- Wide temperature range: -40°C to 60°C (-40°F to 140°F)
- Wide voltage range of $\pm 25\%$
- IK10
- IP66

Specifications

IPC814SR-DVFP16					
Camera					
Image sensor	1/3", progressive scan, 4.0 megapixel, CMOS				
Lens	1.6mm@ F1.6				
DORI Distance	Lens	Detect(m)	Observe(m)	Recognize(m)	Identify(m)
	1.6mm	36	14.4	7.2	3.7
Angle of View (H)	180°				
Shutter	Auto/Manual, shutter time: 1/6 s ~1/100000 s				
Minimum Illumination	Colour: 0.01 Lux (F1.6, AGC ON) 0 Lux with IR				
Day / Night	IR-cut filter for day & night function				
Digital noise reduction	2D/3D DNR				
S/N	>55dB				
IR Range	UP to 10m (33ft)				
Defog	Digital Defog				
WDR	120dB				
Video					
Compression	Ultra265, H.265, H.264, MJPEG				
H.264 code profile	Baseline profile, Main Profile, High Profile				
Frame Rate	Main Stream : (2560×1440) : Max.25fps; Sub Stream: (1920×1080) : Max.25fps; Third Stream: D1(720 x 576): Max.25 fps				
BLC	Supported				
OSD	Up to 8 OSDs				
ROI	Up to 8 areas				
Privacy Mask	Up to 8 areas				
Motion Detection	Up to 4 areas				
General Function	Watermark, IP Address Filtering, Tampering Alarm, Alarm input, Alarm output, Access Policy, ARP Protection, RTSP Authentication, User Authentication				
Audio					
Audio Compression	G.711				
Two-way audio	Supported				
Suppression	Supported				
Sampling Rate	8 KHZ				
Storage					
Edge Storage	Micro SD, up to 128GB				
Network Storage	ANR				
Network					
Protocols	IPv4, IGMP, ICMP, ARP, TCP, UDP, DHCP, PPPoE, RTP, RTSP, RTCP, DNS, DDNS, NTP, FTP, UPnP, HTTP, HTTPS, SMTP, 802.1x, SNMP				
Compatible Integration	ONVIF(Profile S, Profile G), API				
Live View Display					
Mount Type	Support table, wall, and ceiling				

Interface	
Audio I/O	Audio interface
	Input: impedance 35 k Ω ; amplitude 2 V [p-p]
	Output: impedance 600 Ω ; amplitude 2 V [p-p]
	3 built-in omnidirectional microphone
Alarm I/O	1 / 1
Built-in Mic	Supported
Built-in Speaker	Supported
Video Output	1 BNC, impedance 75 Ω ; amplitude 1 V [p-p]
Network	1 RJ45 10M/100M Base-TX Auto-adaptive Ethernet
General	
Power	DC12V \pm 25%,PoE(IEEE 802.3af)
	Power consumption: Max. 11 W
Dimensions (Φ x H)	Φ 125x 43.7 mm (Φ 4.9" x 1.7")
Weight	0.39kg(0.86lb)
Working Environment	-40°C ~60°C (-40°F ~ 140°F), Humidity :10%~95% RH
Ingress Protection	IP66
Vandal Resistant	IK10
Reset Button	Supported

Dimensions



Zhejiang Uniview Technologies Co., Ltd.

Building No.10, Wanlun Science Park, Jiangling Road 88, Binjiang District, Hangzhou, Zhejiang, China (310051)

Email: overseasbusiness@uniview.com; globalsupport@uniview.com

<http://www.uniview.com>

©2016-2018 Zhejiang Uniview Technologies Co., Ltd. All rights reserved.

*Product specifications and availability are subject to change without notice.