

# 2MP 20x IR Network PTZ Dome Camera

IPC6222ER-X20(P)-B



## Key Features

### Optics

- Accurate and fast focusing
- The third-generation infrared technology
- Smart IR, up to 150 m (492ft) IR distance
- Optical glass window with higher light transmittance
- IR anti-reflection window to increase the infrared transmittance

### Compression

- Ultra 265, H.265, H.264, MJPEG
- Embedded smart algorithm
- Triple streams
- Customized OSD

## Network

- ONVIF Conformance

## Structure

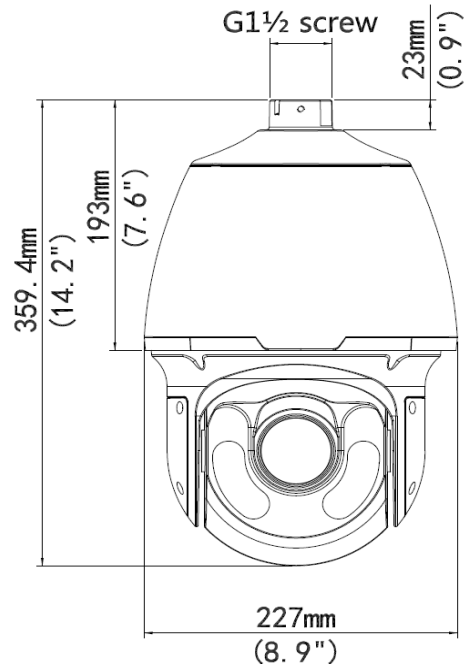
- Special structure and window design to battle bad weather (especially in dusty weather)
- Innovative snow-removing functionality
- More effective heat dissipation system
- Intelligent temperature control technology
- 6 KV surge protection designed for network interface

## Specifications

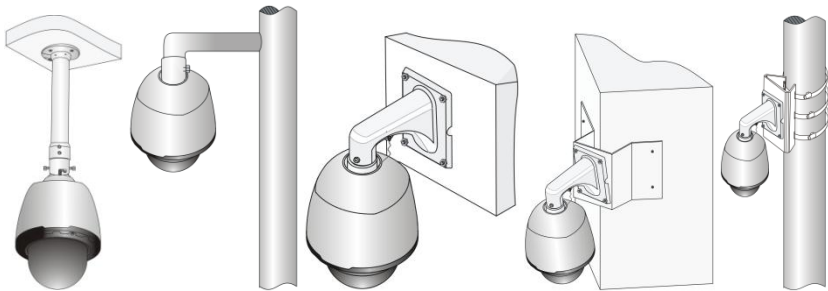
	IPC6222ER-X20-B	IPC6222ER-X20P-B
<b>Camera</b>		
Sensor	1/3", progressive scan, 2.0megapixel, CMOS	
Lens	5.2 ~ 104 mm (20x optical zoom) , AF automatic focusing and motorized zoom lens	
Angle of View (H)	61.9° (wide) ~ 3.5° (tele)	
Shutter	Auto/Manual; shutter time: 1/6 s ~ 1/100000 s	
Minimum Illumination	Colour: 0.01 lux (F1.5, AGC ON) 0 lux with IR	
Iris	Auto/Manual; F1.5 ~ F3.0	
Day/Night	IR-cut filter with auto switch (ICR)	
Digital noise reduction	2D/3D DNR	
S/N	>52dB	
IR Range	UP to 150m (492ft)	
Defog	Digital Defog	
WDR	DWDR	
<b>Video</b>		
Video Compression	Ultra 265,H.265, H.264, MJPEG	
H.264 code profile	Baseline profile, Main Profile, High Profile	
Frame Rate	Main Stream:2MP (1920×1080):Max. 30 fps; Sub Stream:2MP (1920×1080):Max. 30 fps; Third Stream: D1 (720×576): Max. 30 fps	
HLC	Supported	
BLC	Supported	
EIS	Supported	
OSD	Up to 8 OSDs	
Privacy Mask	Up to 8 areas	
ROI	Up to 8 areas	
Motion Detection	Up to 4 areas	

Smart	
Behavior Detection	Intrusion, cross line, motion detection, auto tracking
Exception Detection	Audio detection
Intelligent Identification	Face detection
Statistical Analysis	People counting
General Function	Watermark, IP Address Filtering, Tampering Alarm, Alarm input, Alarm output, Access Policy, ARP Protection, RTSP Authentication, User Authentication
Audio	
Audio Compression	G.711
Two-way audio	Supported
Suppression	Supported
Sampling Rate	8 KHZ
Storage	
Edge Storage	Micro SD, up to 128 GB
Network Storage	ANR
Network	
Protocols	IPv4, IGMP, ICMP, ARP, TCP, UDP, DHCP, PPPoE, RTP, RTSP, RTCP, DNS, DDNS, NTP, FTP, UPnP, HTTP, HTTPS, SMTP, 802.1x, SNMP
Compatible Integration	ONVIF(Profile S, Profile G), API
Pan & Tilt	
Pan Range	360° (endless)
Pan Speed	0.1°/s ~ 240°/s
	Preset speed: 300°/s
Tilt Range	-15° ~ +90° (auto reverse)
Tilt Speed	0.1° ~ 160°/s
	Preset speed: 240°/s
Number of Presets	1024
Patrol	Up to 16 patrols, up to 32 presets per patrol
Interface	
Audio I/O	Audio cable
	Input: impedance 35 kΩ; amplitude 2 V [p-p]
	Output: impedance 600 Ω; amplitude 2 V [p-p]
Alarm I/O	1/ 1
Network	1 RJ45 10M/100M Base-TX Ethernet
General	
Power	24 V AC±25%, 24 V DC±25%
	24 V AC±25%, 24 V DC±25%, PoE (PSE Required)
	Power consumption: 9 ~ 42W
Dimensions(ØxH)	Ø227x359.4 mm (Ø8.9" x 14.2")
Weight	5.28 kg (11.6lb)
Working Environment	-40°C ~ +65°C (-40°F ~ 149°F), Humidity :10%~95% RH(non-condensing)
Ingress Protection	IP66

## Dimensions



## Installation



Pendant mount

Standing pole mount

Wall mount

Corner mount

Pole mount

## Accessories

Installation mode	Accessories	Description
Pendant mount	TR-CE45-IN bracket	/
	Pendant components: TR-UF45-A-IN ceiling plate TR-SE45-IN pendant rod (200mm) TR-SE45-A-IN pendant rod (500mm)	Ceiling plate is optional with different pendant rod for various applications
Standing pole mount	Customized bracket	The interface is designed with internal G1½ screws. The screw depth must be more than 23 mm.
Wall mount	TR-WE45-IN bracket	/

Installation mode	Accessories	Description
Corner mount	TR-WE45-IN bracket +TR-UC08-A/B-IN bracket	/
Pole mount	TR-WE45-IN bracket +TR-UP08-A/B-IN bracket	/
PoE Power	Accessories	Description
PSE Adapter	PWR-DC5611-P	PSE Adapter (60W)configuration is needed.

**Zhejiang Uniview Technologies Co., Ltd.**

South Tower, Building 10, Wanlun Science Park, 88 Jiangling Road, Hangzhou, P.R.China 310051

Email: [overseasbusiness@uniview.com](mailto:overseasbusiness@uniview.com); [globalsupport@uniview.com](mailto:globalsupport@uniview.com)

<http://www.uniview.com>

©2016 -2017Zhejiang Uniview Technologies Co., Ltd. All rights reserved.

\*Product specifications and availability are subject to change without notice.