

1.3MP Network IR Mini Bullet Camera

IPC2121SR3 Series



Key Features

Optics

- Day/night functionality
- Smart IR , up to 30 m (98 ft) IR distance
- Optical glass window with higher light transmittance
- IR anti-reflection window to increase the infrared transmittance
- 3D DNR (Digital Noise Reduction)

Compression

- H.264/MJPEG
- Triple streams

Network

- ONVIF Conformance

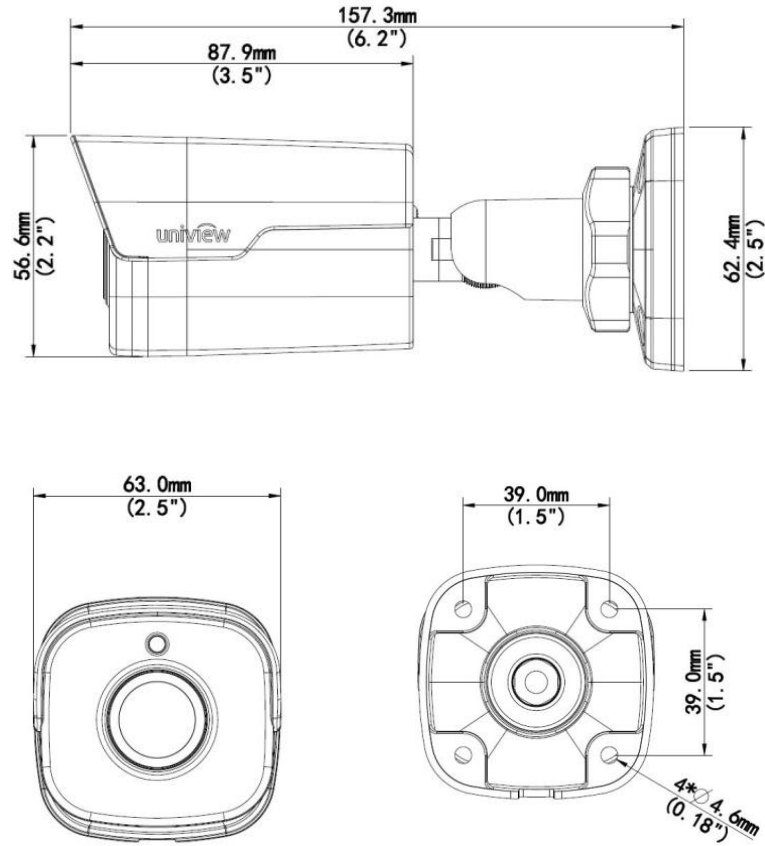
Structure

- Wide temperature range: -35°C to 60°C (-31°F to 140°F)
- Wide voltage range of $\pm 25\%$
- IP67

Specifications

	IPC2121SR3-PF36	IPC2121SR3-PF60	IPC2121SR3-PF120
Camera			
Sensor	1/3", 1.3 megapixel, progressive scan, CMOS		
Lens	3.6mm@F1.8	6.0mm@F1.8	12.0mm@F1.8
Angle of View(H)	72.9°	46.7°	23.5°
Shutter	Auto/Manual, 1/6~1/100000 s		
Min. Illumination	Colour: 0.06 Lux (F1.8, AGC ON) 0 Lux with IR on		
IR Range	Up to 30m (98 ft) IR range		
Day/Night	IR-cut filter with auto switch (ICR)		
S/N	>50dB		
WDR	Digital		
Noise Reduction	2D/3D		
Video			
Max. Resolution	1280×960		
Video Compression	H.264/MJPEG		
Frame Rate	960P (1280*960): Max. 30 fps; 720P (1280*720): Max. 10 fps; 960P (1280*960): Max. 25 fps; 720P (1280*720): Max. 15 fps; D1 (720*576): Max. 6 fps		
Video Streaming	Triple		
ROI	Supported		
Evaluative Metering	Supported		
OSD	Up to 8 OSDs		
Motion Detection	Up to 2 areas		
Privacy Mask	Up to 4 areas		
Network			
Protocols	L2TP, IPv4, IGMP, ICMP, ARP, TCP, UDP, DHCP, PPPoE, RTP, RTSP, DNS, DDNS, NTP, FTP, UPnP, HTTP, HTTPS, SMTP		
Compatible Integration	ONVIF, API		
Interface			
Network	1 RJ45 10M/100M Base-TX Ethernet		
General			
Power	12 V DC, or PoE (IEEE802.3 af)		
	Power consumption: Max 6.4 W		
Dimensions (L × W × H)	157.3 × 62.4 × 63 mm (6.2" × 2.5" × 2.5")		
Weight	0.45 kg (0.99 lb)		
Working Environment	-35°C ~ +60°C (-31°F ~ 140°F), Humidity ≤ 95% RH(non-condensing)		
Ingress Protection	IP67		

Dimensions



Accessories

Installation mode	Accessories	Description
Wall mount	Mounting pedestal is included in the Product package	\
Ceiling mount	Mounting pedestal is included in the Product package	\

Zhejiang Uniview Technologies Co., Ltd.

Building No.10, Wanlun Science Park, Jiangling Road 88, Binjiang District, Hangzhou, Zhejiang, China (310051)

Email: overseasbusiness@uniview.com; globalsupport@uniview.com

<http://www.uniview.com>

©2015-2017 Zhejiang Uniview Technologies Co., Ltd. All rights reserved.

*Product specifications and availability are subject to change without notice.