

4K Ultra-HD Network IR PTZ Dome Camera

IPC6858SR-X22



Key Features

Optics

- 22X Optical Zoom
- Fifth-generation infrared technology, more than 250m (820ft) IR distance
- IR anti-reflection window to increase the infrared transmittance
- Optical glass window with higher light transmittance
- Smart IR
- EIS (Electronic Image Stabilization)

Compression

- 12 Megapixel image
- Ultra 265, H.265, H.264, MJPEG
- Embedded smart algorithm
- Triple streams
- Customized OSD

Network

- Network auto-adaptability
- ONVIF Conformance

Structure

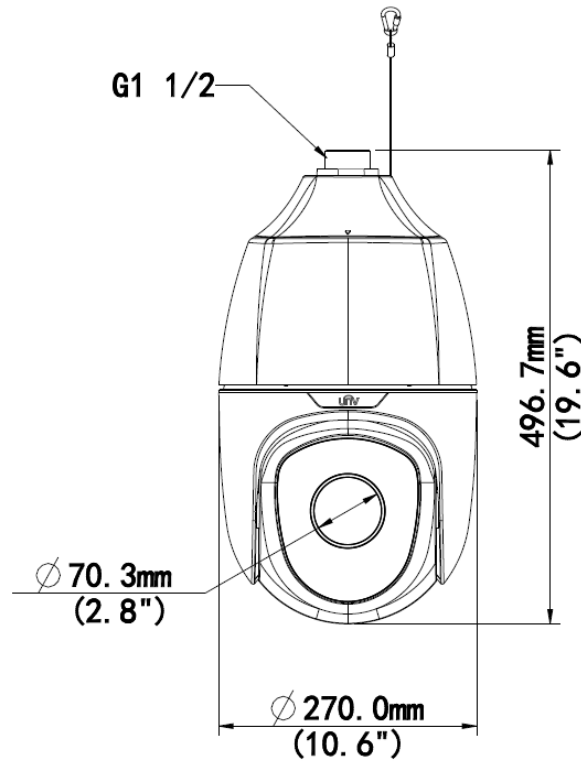
- Innovative snow-removing functionality
- Intelligent temperature control technology
- More effective heat dissipation system
- 6 KV surge protection designed for network interface

Specifications

| | |
|----------------------------|---|
| | IPC6858SR-X22 |
| Camera | |
| Sensor | 1/1.7" progressive scan, 12.0 megapixel, CMOS |
| Lens | 6.5~ 143 mm (22x optical zoom) |
| Angle of View (H) | 56.7° (wide) ~ 3.07° (tele) |
| Shutter | Auto/Manual, shutter time: 1/6 s ~ 1/8000 s |
| Minimum Illumination | Colour: 0.06 lux (F1.5,AGC ON) 0 lux with IR |
| Iris | Auto/Manual, F1.5 ~ F3.4 |
| Day/Night | IR-cut filter with auto switch (ICR) |
| Digital noise reduction | 2D/3D DNR |
| S/N | >55 dB |
| IR Range | UP to 250m (820ft) |
| Defog | Digital Defog |
| WDR | DWDR |
| Video | |
| Video Compression | Ultra 265,H.265, H.264, MJPEG |
| Frame Rate | Main Stream:12 MP(4000×3000):Max.20 fps , 8MP(3840 × 2160): Max.25fps, 2MP(1920×1080)@30fps; Sub Stream:2MP(1920×1080) : Max. 30fps; Third Stream: D1 (720×576): Max. 30fps |
| HLC | Supported |
| BLC | Supported |
| EIS | Supported |
| ROI | Up to 8 areas |
| OSD | Up to 8 OSDs |
| Privacy Mask | Up to 8 areas |
| Motion Detection | Up to 4 areas |
| Smart | |
| Behavior Detection | Intrusion, cross line, motion detection |
| Exception Detection | Audio detection |
| Intelligent Identification | Face detection, Defocus, Scene Change |
| Statistical Analysis | People counting |
| General Function | Watermark, IP Address Filtering, Tampering Alarm, Alarm input, Alarm output, Access Policy, ARP Protection, RTSP |

| | |
|------------------------|---|
| | Authentication, User Authentication |
| Audio | |
| Audio Compression | G.711 |
| Two-way Audio | Supported |
| Suppression | Supported |
| Sampling Rate | 8 KHZ |
| Storage | |
| Edge Storage | Micro SD, up to 128 GB |
| Network Storage | ANR |
| Network | |
| Protocols | IPv4, IGMP, ICMP, ARP, TCP, UDP, DHCP, PPPoE, RTP, RTSP, RTCP, DNS, DDNS, NTP, FTP, UPnP, HTTP, HTTPS, SMTP, 802.1x, SNMP |
| Compatible Integration | ONVIF(Profile S, Profile G), API |
| Pan & Tilt | |
| Pan Range | 360° |
| Pan Speed | 0.1°/s ~ 240°/s |
| | Preset speed: 300°/s |
| Tilt Range | -15° ~ +90° (auto reverse) |
| Tilt Speed | 0.1° ~ 160°/s |
| | Preset speed: 240°/s |
| Number of Presets | 1024 |
| Patrol | Preset patrol, route patrol, recorded patrol |
| Home Position | Supported |
| Interface | |
| Audio I/O | Audio cable |
| | 1 Input: impedance 35 kΩ; amplitude 2 V [p-p] |
| | 1 Output: impedance 600 Ω; amplitude 2 V [p-p] |
| Alarm I/O | 2 / 1 |
| Serial Port | 1 RS485 |
| Network | 1 RJ45 10M/100M Base-TX Ethernet |
| Video Output | 1 BNC, impedance 75 Ω; amplitude 1 V [p-p] |
| General | |
| Power | 24 V AC±25% (Default), 24 V DC±25% |
| | Power consumption: 16 W ~ 56 W |
| Dimensions (∅ x H) | ∅270mm×496.7mm(∅10.6" x 19.6") |
| Weight | 9.69kg(21.4lb) |
| Working Environment | -40°C ~ +70°C (-40°F ~ 158°F), Humidity:10%~ 95% RH(non-condensing) |
| Ingress Protection | IP66 |

Dimensions



Accessories

| Installation mode | Accessories | Description |
|---------------------|---|--|
| Pendant mount | TR-CE45-IN bracket | / |
| | Pendant components: TR-UF45-A-IN ceiling plate TR-SE45-IN pendant rod (200mm) TR-SE45-A-IN pendant rod (500mm) | Ceiling plate is optional with different pendant rod for various applications |
| Standing pole mount | Customized bracket | The interface is designed with internal G1½ screws. The screw depth must be more than 23 mm |
| Wall mount | TR-WE45-IN bracket | / |
| Corner mount | TR-WE45-IN bracket + TR-UC08-A-IN bracket | / |
| Pole mount | TR-WE45-IN bracket + TR-UP08-A-IN bracket | / |

Zhejiang Uniview Technologies Co., Ltd.

South Tower, Building 10, Wanlun Science Park, 88 Jiangling Road, Hangzhou, P.R.China 310051

Email: overseasbusiness@uniview.com; globalsupport@uniview.com

<http://www.uniview.com>

©2016-2017 Zhejiang Uniview Technologies Co., Ltd. All rights reserved.

*Product specifications and availability are subject to change without notice.