

# 2MP Network IR Fixed Dome Camera

## IPC3612SR3 Series



## Key Features

### Optics

- Day/night functionality
- Optical glass window with higher light transmittance
- IR anti-reflection window to increase the infrared transmittance
- Up to 30 m (98 ft) IR distance
- 3D noise reduction

### Compression

- H.264/MJPEG
- Triple streams
- 9:16 corridor mode

### Network

- ONVIF Conformance

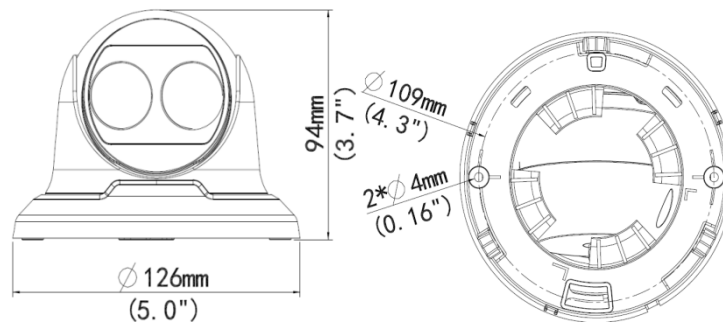
### Structure

- Support PoE power supply (optional)
- Wide temperature range: -35°C to 60°C (-31°F to 140°F)
- Wide voltage range of  $\pm 25\%$
- 4 KV surge protection designed for network interface
- IP66

## Specifications

	IPC3612SR3-PF28	IPC3612SR3-PF36	IPC3612SR3-PF60
<b>Camera</b>			
Sensor	1/3", 2 megapixel, progressive scan, CMOS		
Lens	2.8mm@F1.8 Angle of view(H): 88.9°	3.6mm@F1.8 Angle of view(H): 65.7°	6mm@F1.8 Angle of view(H): 41.5°
Min. Illumination	Colour: 0.06 Lux (F1.8, AGC ON) 0 Lux with IR		
Shutter	Auto/Manual, 1/6~1/100000 s		
Minimum Illumination	Colour: 0.06 Lux (F1.8, AGC ON) 0 Lux with IR		
Day/Night	IR-cut filter with auto switch (ICR)		
IR	30m (98 ft) IR range		
AWB(Auto white balance)	Auto/manual		
Gain Control	Auto/manual		
WDR	Supported		
Noise Reduction	2D/3D		
<b>Video</b>			
Max. Resolution	1920×1080		
Video Compression	H.264/MJPEG		
Frame Rate	1080P (1920×1080): Max. 30 fps; 720P (1280×720): Max. 30 fps; D1 (720×576): Max. 25 fps		
Video Streaming	Triple		
OSD	Up to 8 OSDs		
9:16 Corridor Mode	Supported		
Motion Detection	Up to 2 areas		
Privacy Mask	Up to 4 areas		
<b>Network</b>			
Protocols	IPv4,IGMP,ICMP,ARP,TCP,UDP,DHCP,RTP,RTSP,Qos,DNS,DDNS,NTP,FTP,UPnP,HTTP		
Compatible Integration	ONVIF, API		
<b>Interface</b>			
Network	10M/100M Base-TX Ethernet		
<b>General</b>			
Power	12 V DC, or PoE (IEEE802.3 af)		
	Power consumption: 3.5 W (5.5W with IR on)		
Dimensions (Ø x H)	Φ126 x 94 mm (Ø5.0" x 3.7")		
Weight	0.33 kg (0.73 lb)		
Working Environment	-35°C ~ +60°C (-31°F ~ 140°F), Humidity ≤ 90% RH(non-condensing)		
Ingress Protection	IP66		

## Dimensions



## Accessories

Installation mode	Accessories	Description
Ceiling mount	Mounting pedestal is included in the product package	For indoor ceiling installation

### Zhejiang Uniview Technologies Co., Ltd.

South Tower, Building 10, Wanlun Science Park, 88 Jiangling Road, Hangzhou, P.R.China 310051

Email: [overseasbusiness@uniview.com](mailto:overseasbusiness@uniview.com); [globalsupport@uniview.com](mailto:globalsupport@uniview.com)

<http://www.uniview.com>

©2015 Zhejiang Uniview Technologies Co., Ltd. All rights reserved.

\*Product specifications and availability are subject to change without notice.